



SELF SERVICE CERAN GLASS HOTPLATE (NO GANTRY) - FITTING INSTRUCTIONS

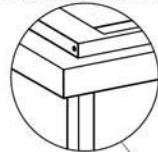
TOP HEAT TO BE SUPPLIED (BY OTHERS) i.e. 300W QUARTZ INFRA-RED LAMPS,
 1 PER G_n SECTION, MOUNTED AT 430mm ABOVE BASE SURFACE.
 IF NO TOP HEAT IS PROVIDED, ALL FOOD CONTAINERS REQUIRE LIDS.
 PRODUCT DISPLAY MAY ALSO REQUIRE SNEEZE GUARD PROTECTION (BY OTHERS).

A) WORKTOP CUT-OUT

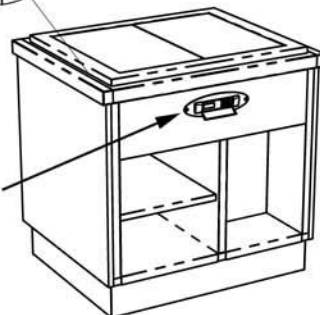
Model Ref.	Worktop Cut Out Size (mm)	
	Length	Width
HP1NG	445	650
HP2NG	795	650
HP3NG	1145	650
HP4NG	1495	650
HP5NG	1845	650
HP6NG	2195	650

B) FITTING INTO COUNTER WORKTOP

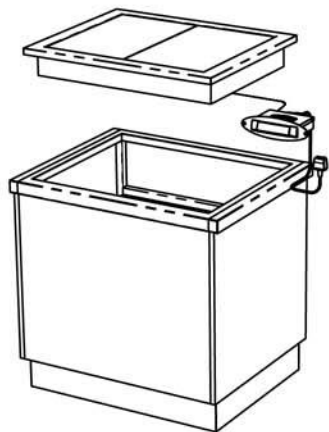
SILICON SEAL AROUND DISPLAY FLANGE TO COUNTER WORKTOP



LOCATE CONTROLLER MIN. 125mm BELOW WORKTOP OR IN ADJACENT HOUSING

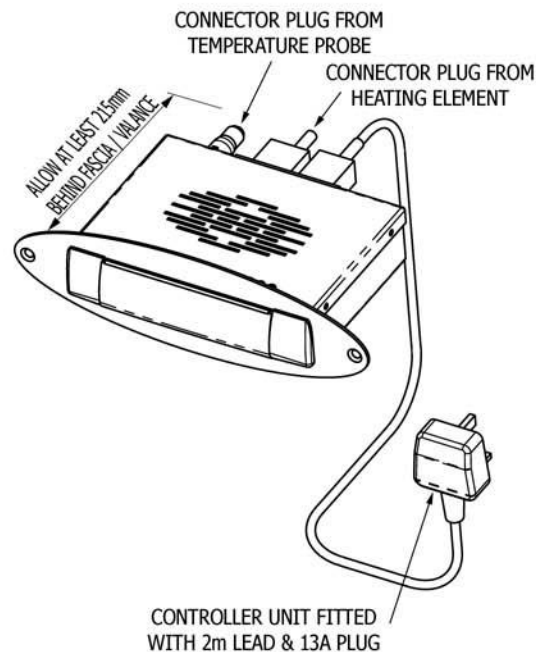


REAR ISOMETRIC (OPERATOR SIDE)

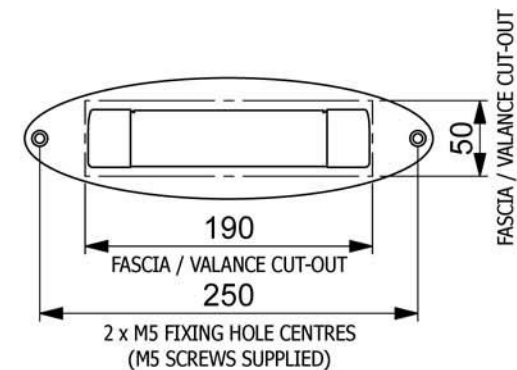


FRONT ISOMETRIC (CUSTOMER SIDE)

C) CONNECTIONS TO CONTROLLER UNIT



D) CONTROLLER UNIT MOUNTING DETAILS



* DO NOT SITE CONTROL PANEL ABOVE HEAT SOURCE OVER 40°C i.e. UNINSULATED HOT CUPBOARDS

