

ROLL' FRESH TEMPERATURE HOLDING BANQUET TROLLEY Model GN1/1 - Reference 507 286

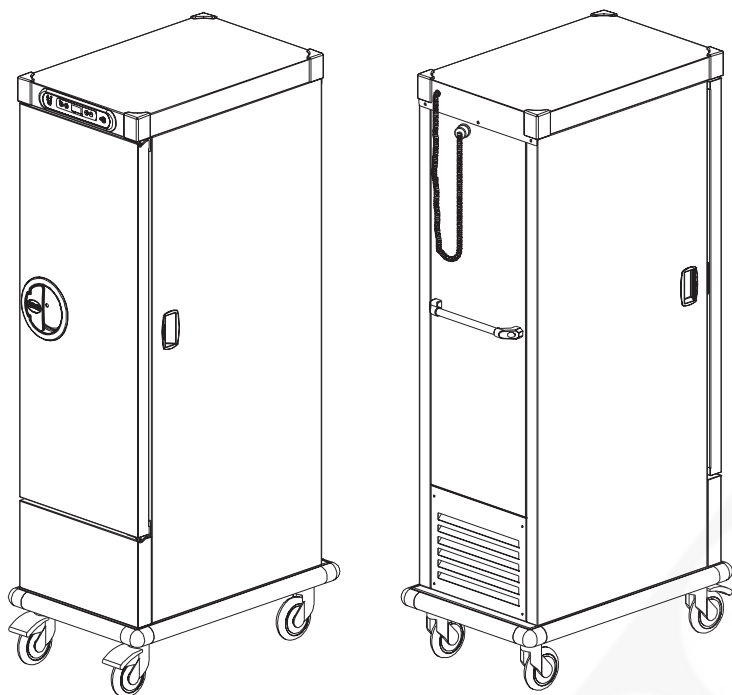
GENERALS CHARACTERISTICS

Made of food quality stainless steel with a chromium content greater than 17,5%.

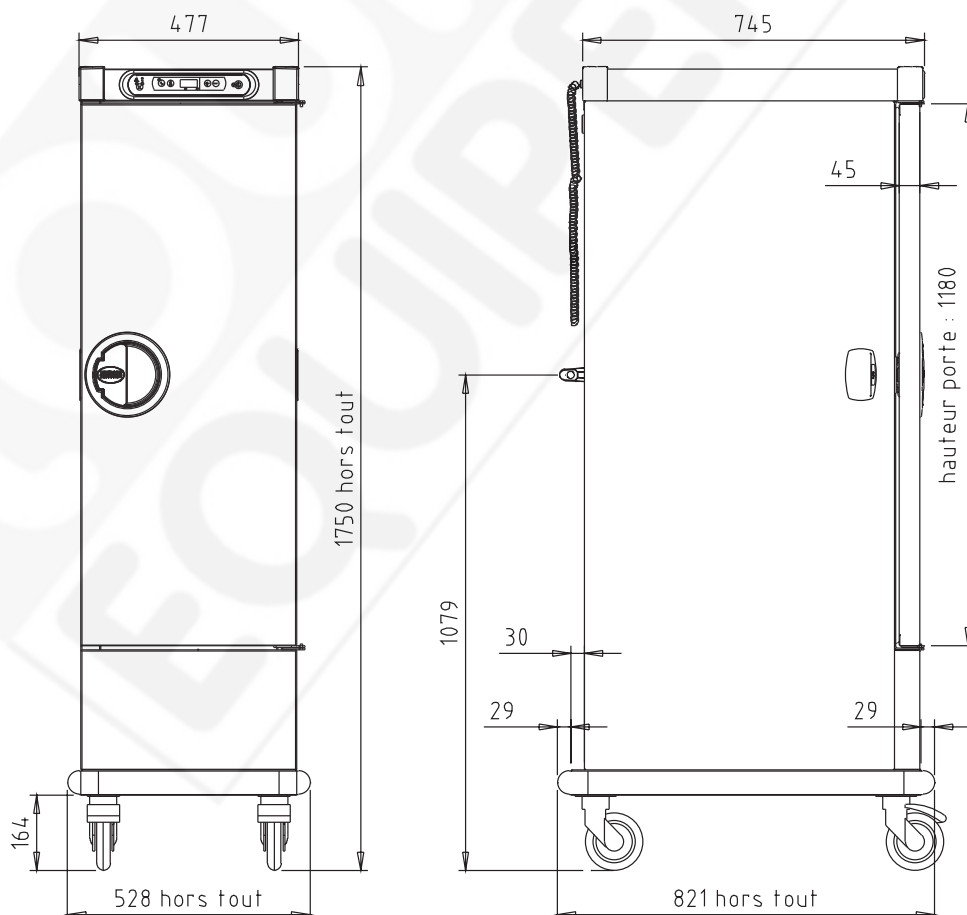
- Insulation of walls 45 mm rock wool + 20 mm melamine foam.
- Insulation of door 45 mm thick with rock wool.
- Inside entirely radiused, with press-drawn sliders and base.
- Door with removable seal opens 270°.
- Carrying handles on sides and back.
- Wheels Ø 125 mm with polyamide cover, 2 with brakes.
- Circumferential bumper.
- Fan-assisted refrigeration controlled by an electronic thermostat with digital readout and the following functions:
 - * Adjustment range of set value from 0 to 10°C.
 - * Possibility of deferred start.
 - * Dysfunction alarms for cabinet and refrigerated unit maintenance.
- Spiral power cable 3G1,5 with moulded plug + plug support.

END OF SERVICE LIFE:

- WEEE recycling channel - Syneq.
- Environmental specifications sheet available on request.



Loading	15 bacs GN 1/1 ht.65 mm	Internal volume	0,215 m ³	Maximal current	2,5 A
Maximal allowable loading	120 kg	Weight when empty	104 kg	Nominal current	1,9 A
Space between sliders	71 mm	Voltage	230 Volts ~ mono - 50 Hz	Type of refrigerant	R134A
External dimensions	528 x 821x 1750 mm	Appliance classification	I	Power refrigerating	230 W
Internal dimensions	330 x 590 x 1105 mm	Protection Index	25	Standards	NF EN 60335-1
External volume	0,759 m ³	Power input	230 W		NF EN 60335-2-89



ROLL' FRESH

TEMPERATURE HOLDING BANQUET TROLLEY

Model GN2/1 - Reference 507 296

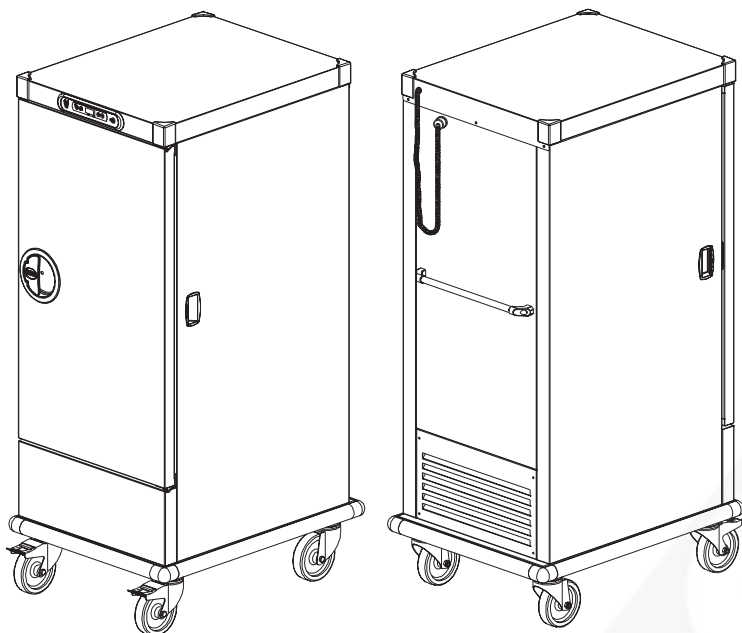
GENERALS CHARACTERISTICS

Made of food quality stainless steel with a chromium content greater than 17,5%.

- Insulation of walls 45 mm rock wool + 20 mm melamine foam.
- Insulation of door 45 mm thick with rock wool.
- Inside entirely radiused, with press-drawn sliders and base.
- Door with removable seal opens 270°.
- Carrying handles on sides and back.
- Wheels Ø 125 mm with polyamide cover, 2 with brakes.
- Circumferential bumper.
- Fan-assisted refrigeration controlled by an electronic thermostat with digital readout and the following functions:
 - * Adjustment range of set value from 0 to 10°C.
 - * Possibility of deferred start.
 - * Dysfunction alarms for cabinet and refrigerated unit maintenance.
- Spiral power cable 3G1,5 with moulded plug + plug support.

END OF SERVICE LIFE:

- WEEE recycling channel - Syneg.
- Environmental specifications sheet available on request.



Loading	30 bacs GN 1/1 ht.65 mm 15 bacs GN 2/1 ht.65 mm	Internal volume	0,42 m ³	Maximal current	2,5 A
Maximal allowable loading	240 kg	Weight when empty	144 kg	Nominal current	2 A
Space between sliders	71 mm	Voltage	230 Volts ~ mono - 50 Hz	Type of refrigerant	R 134A
External dimensions	682 x 861x 1785 mm	Appliance classification	I	Power refrigerating	380 W
Internal dimensions	535 x 710 x 1105 mm	Protection Index	25	Standards	NF EN 60335-1
External volume	1,048 m ³	Power input	325 W		NF EN 60335-2-89

