

SELF HELP CHILLED MULTI DECK (FIXED BACK) - R290 - FITTING INSTRUCTIONS WITH AIRFLOW KIT AF1 (IN/OUT TO CUSTOMER SIDE)

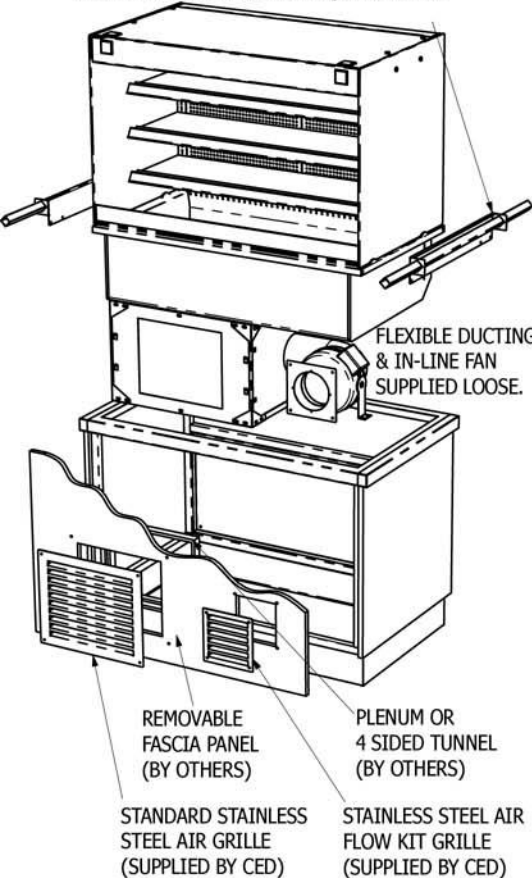
General Installation Considerations

- 1) Area in which display is to be sited must have a minimum room volume no less than 109 cu m (KMDF2HT), 122 cu m (KMDF3HT) or 132 cu m (KMDF4HT & KMDF5HT).
- 2) Install over a sealed floor or ventilated floor void.
- 3) Do not site the display within 2m of ceiling mounted air conditioning grilles.
- 4) Do not site the display beneath a high level of direct sunlight.
- 5) Display will operate in a 24 hour environment.
- 6) Access to maintain condensing unit should be made via removable fascia panels or doors to customer and operator side of counter.

A) WORKTOP CUT-OUT

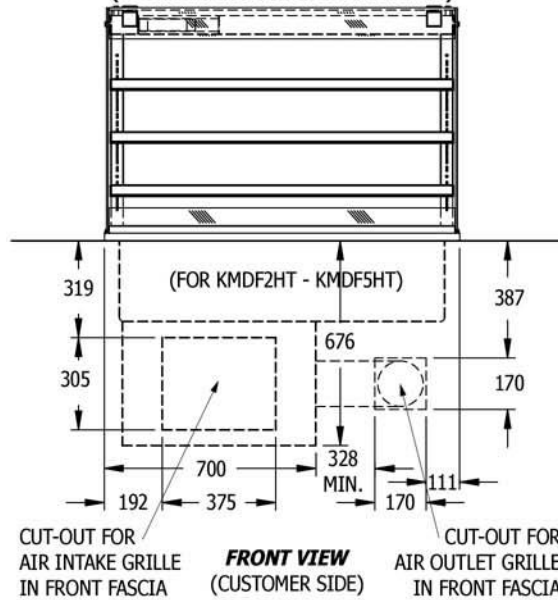
Model Ref.	Worktop Cut Out Size (mm)		Model Weight (in Kg)
	Length	Width	
KMDF2HT + AF1	795	650	143
KMDF3HT + AF1	1145	650	163
KMDF4HT + AF1	1495	650	205
KMDF5HT + AF1	1845	650	243

FIX LIFTING BRACKETS TO FRAME END FLANGES USING SCREWS ALREADY IN FLANGES, THEN LOCATE LIFTING BARS INTO SQUARE HOLES.

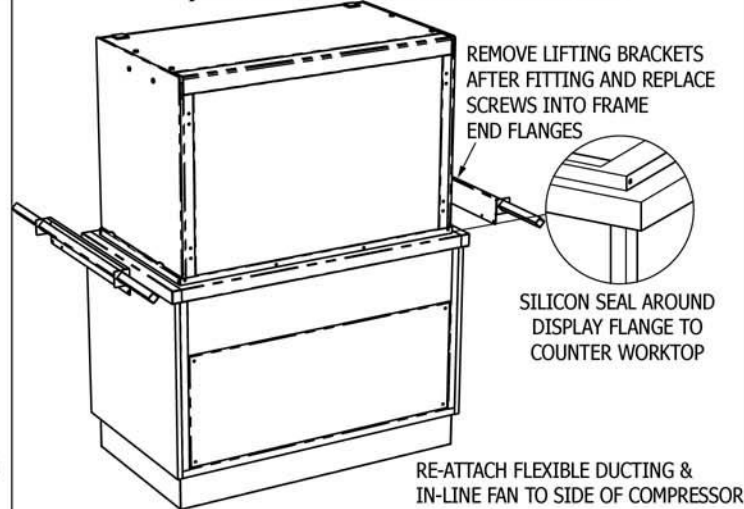


FRONT ISOMETRIC
(CUSTOMER SIDE)

B) AIR INTAKE & OUTLET CUT-OUTS (CUSTOMER SIDE FASCIA PANEL)

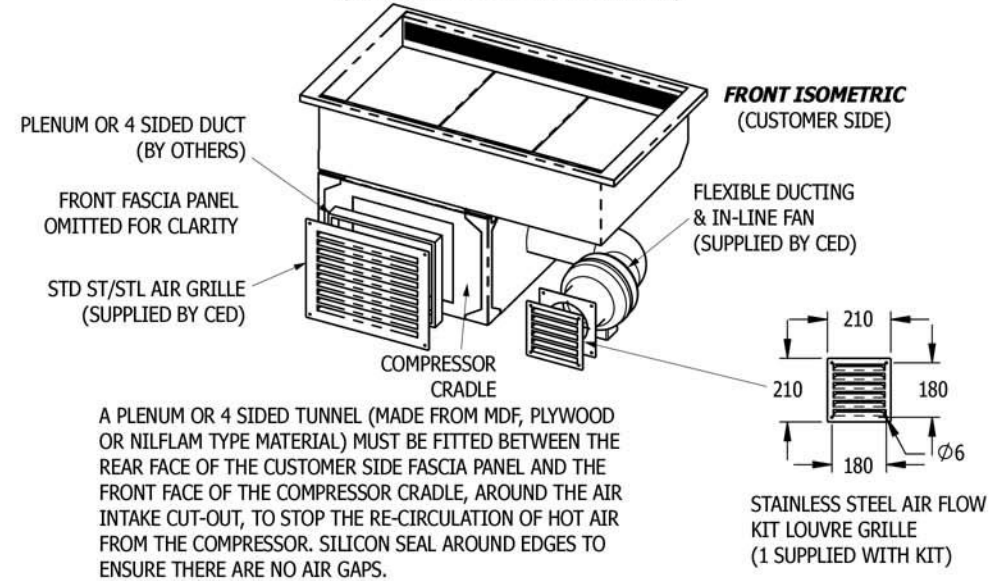


C) FITTING INTO COUNTER WORKTOP



REAR ISOMETRIC
(OPERATOR SIDE)

E) AIR INTAKE TUNNEL / PLENUM FITTING (CUSTOMER SIDE FASCIA PANEL)



D) FITTING SHELVES



F) FITTING OF LOUVRE GRILLES

