

Ceran Top Hot Cupboard (No Gantry) (Operator Side)

Ceran Top Hot Cupboard (No Gantry) (Customer Side)

ABOUT

The ceran top hot cupboard forms part of the Glide range of mobile dining carts - a choice of cold, hot & ambient commercial catering carts that combine to form a food service counter solution as unique as your requirements!

The ceran top hot cupboard (no gantry) features a heated ceramic glass hotplate section formed in the worktop, that accommodates 1-1 size flat btm. Gn containers or dishes with lids (not included). The model is made in 4 sizes to suit your service layout.

The hot cupboard uses fan blown heating to evenly distribute heat around the cupboard space. Behind lift-off rear sliding s/steel cupboard doors, are two tiers of removable, height adjustable grid shelves for plate/ container storage. The wire shelves help distribute heat around the cupboard and support plate holding, dish storage or up to ten 1-1 Gn size (150mm deep) gastronorm containers (not included), depending on the cupboard size.

The front/side base panels are finished in leathergrain plastisol steel, colour merlin grey (BS 18B25). Each model comes with lockable castors. The hot cupboard has thermostatic control. The ceran top & mains power are controlled by neon on/off switches. Gantry options are also controlled by a neon on/off switch.

ACCESSORIES & FINISHES

Folding Steel Solid or Tubular Tray Slides.

Drop down tray rails or slides + 40mm (d) height = (h) - 55mm.

Selection Of Colour Finishes To Bases.

11 alternative choices of durable steel, colour & wood effect for the external front/ side base panels.

Optional Sit-On Spiked Carving Adaptor.

An optional sit-on spiked carving insert & juice collection tray with supporting frame are available for use on the worktop with the hot gantry option.



GANTRY OPTIONS

Heated Gantry & Island Heated Gantry.

A reversible self help/ assisted service glass heated gantry or island gantry option provide top heat to the surface of food being held on the ceran top.

HEIGHT OPTIONS

Low Height Model (Glide Junior).

850mm or 800mm high options for junior/ primary use.



Download All Technical Drawings From www.cedfabsltd.co.uk

FEATURES

Model Type.

The Glide ceran top hot cupboard is a mobile hotplate & heated storage station with full front/ side fascia panels, s/steel & ceran worktop & a fan assisted hot cupboard under, with two tier wire rack shelving below. Each shelf is adjustable in height and removable for cleaning. The operator side rear s/steel sliding doors are also removable.

Model Dimensions.

The ceran top hot cupboard is available as 2-1Gn (825mm), 3-1Gn (1175mm), 4-1Gn (1525mm) & 5-1 Gn (1875mm) long x 700mm (D), 900mm (H) & has locking castors.

Model Finishes.

Base/ outer end panels in plastisol steel, colour merlin grey. The worktop housing ceran top glass is made from 304 gd s/steel & the rear facing doors & surfaces are 430gd.steel.

Low Maintenance.

Easy, cleanable surfaces and a durable design ensure low maintenance for users.

Finishes & Options.

The cupboard can be customised with many accessories such as tray slides, tray rails, colour finishes, heated/ island heated gantries, low height versions for junior/ primary age use & a sit - on spiked carving adaptor. A wall sited version of the ceran top hot cupboard is also available, for alcoves/ recesses c/w front facing sliding s/steel doors, gantry & colour finishes for the base cupboard rear & sides. (See separate model GWSHP2-5).

Power Supply.

The cupboard is supplied with a 3m lead & 13 amp UK plug (13A 230v 50Hz). (5/1Gn model with hot gantry = 16A commando plug).

Equipment Conformity.

Temperature Controls.

The hot cupboard has thermostatic control, the ceran top & mains power are controlled by neon on/off switches. The hot gantry options are also controlled by neon on/off switches.

(Ceran Top Hot Cupboard)

(Ceran Top Hot Cupboard & Gantry)



Glide Ceran Top Hot Cupboard (No Gantry)

Code	Description	Capacity (Gn)	Dimensions (L x D x H mm)	Depth With Tray Slide Up/ Down	Weight (kg)	Total Power (kW)	
						No	+ Hot Gantry
GHP2	Glide Ceran Top Hot.Cupd No Gantry	2-1	825 x 700 x 900	1000/ 740mm	49	1.29	1.69
GHP3	Glide Ceran Top Hot.Cupd No Gantry	3-1	1175 x 700 x 900	1000/ 740mm	69	1.47	2.07
GHP4	Glide Ceran Top Hot.Cupd No Gantry	4-1	1525 x 700 x 900	1000/ 740mm	92	1.65	2.45
GHP5	Glide Ceran Top Hot.Cupd No Gantry	5-1	1875 x 700 x 900	1000/ 740mm	114	2.33	3.33 16A

Model Description. Glide mobile dining cart, ceran glass hotplate top (no gantry), electric, 700(d) x 900(h), accommodates 1-1 Gn flat btm. dishes/lids (not included), fan assisted hotcupboard under with removable s/steel sliding doors & 2 tiers of adjustable/ removable internal grid shelves for plate/ Gn container holding. Front/side base panels in leathergrain plastisol steel, colour merlin grey (BS 18B25), lockable castors, control panel to operator side, 3m lead. Hot cupboard has thermostatic control, ceran top & mains power are controlled by neon on/off switches. Gantry options are also controlled by neon on/off switch. Electrical supply (no gantry/+ hot gantry) = 230V 50Hz 13A UK plug top. (Gantry/ Tray Rails Optional) (5/1Gn model with hot gantry = 16A commando plug).

For best performance (no gantry model) always use lids on Gn containers when not serving, stir food in containers regularly

Glide S/Steel Folding Tubular Tray Rail

Code	Description	Capacity (Gn)	Dimensions (L x D x H mm)	Weight (kg)	Option Description.
GTTS2	Glide S/Steel Drop Down Tray Rail	2-1 Gn	825 x 298 x (base-55)	2	S/steel tubular tray rail, 304 gd. Ø25 tube, drop down bracket type, up position depth + 298 mm to base unit, down position depth + 40mm to base unit. Trayslide height = base unit (h) - 55mm.
GTTS3	Glide S/Steel Drop Down Tray Rail	3-1 Gn	1175 x 298 x (base-55)	3	
GTTS4	Glide S/Steel Drop Down Tray Rail	4-1 Gn	1525 x 298 x (base-55)	5	
GTTS5	Glide S/Steel Drop Down Tray Rail	5-1 Gn	1875 x 298 x (base-55)	7	

Ceran Top Hot Cupbd. (No Gantry)

Glide S/Steel Folding Solid Tray Slide

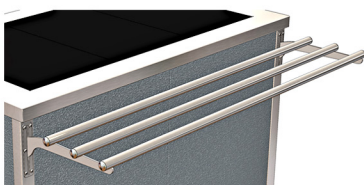
Code	Description	Capacity (Gn)	Dimensions (L x D x H mm)	Weight (kg)	Option Description.
GSTS2	Glide S/Steel Drop Down Solid Tray Slide	2-1Gn	825 x 302 x (base-55)	3	S/steel solid tray slide, drop down bracket type, up position depth + 302 mm to base unit, down position depth + 40mm to base unit. Trayslide height = base unit (h) - 55mm.
GSTS3	Glide S/Steel Drop Down Solid Tray Slide	3-1Gn	1175 x 302 x (base-55)	5	
GSTS4	Glide S/Steel Drop Down Solid Tray Slide	4-1Gn	1525 x 302 x (base-55)	7	
GSTS5	Glide S/Steel Drop Down Solid Tray Slide	5-1Gn	1875 x 302 x (base-55)	9	

Ceran Top Hot Cupbd. (No Gantry)



Operator Side

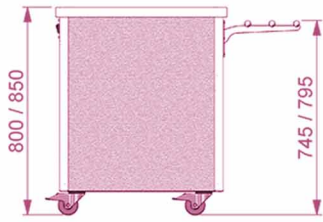
Customer Side





Ceran Top Hot Cupboard

FINISHES, INSERTS,
HEIGHT & GANTRY OPTIONS



Low Height Model (Glide Junior) - 800/ 850mm (h)

Code	Description	Base Height (mm)	Optional Tray Slide Height (mm)
G800H**	Glide Base Unit 800mm Height	800	745
G850H	Glide Base Unit 850mm Height	850	795

**G800H Bespoke Option (With Extended lead Time)

For Ceran Top Hot Cupbd. (No Gantry)

Option Description.

Lower height option codes for junior/ primary use.

****800mm (h) base unit, c/w 100mm lockable castors.**
(Optional trayslide height becomes 745mm high)**

850mm (h) base unit, c/w 100mm lockable castors.
(Optional trayslide height becomes 795mm high).

Colour Finishes To Base Panels (Front & Sides)

Option Description. 11 choices of leathergrain plastisol steel colours/ wood effect laminated steel for front fascia panel/ external ends.

For Ceran Top Hot Cupbd. (No Gantry)

Code	Description	Capacity	Code	Description	Capacity
Ocean Blue (BS 18C37)					
GBLUECHA2	Glide Blue Fascia - Ambient	2-1Gn	GSSTLCHA2	Glide S/Steel Fascia - Ambient	2-1Gn
GBLUECHA3	Glide Blue Fascia - Ambient	3-1Gn	GSSTLCHA3	Glide S/Steel Fascia - Ambient	3-1Gn
GBLUECHA4	Glide Blue Fascia - Ambient	4-1Gn	GSSTLCHA4	Glide S/Steel Fascia - Ambient	4-1Gn
GBLUECHA5	Glide Blue Fascia - Ambient	5-1Gn	GSSTLCHA5	Glide S/Steel Fascia - Ambient	5-1Gn
Goosewing Light Grey (BS 10A05)					
GGREYCHA2	Glide Grey Fascia - Ambient	2-1Gn	Forest Green/Heritage (RAL 6002)		
GGREYCHA3	Glide Grey Fascia - Ambient	3-1Gn	GGRENCHA2	Glide Green Fascia - Ambient	2-1Gn
GGREYCHA4	Glide Grey Fascia - Ambient	4-1Gn	GGRENCHA3	Glide Green Fascia - Ambient	3-1Gn
GGREYCHA5	Glide Grey Fascia - Ambient	5-1Gn	GGRENCHA4	Glide Green Fascia - Ambient	4-1Gn
Poppy Red (BS 04E5B)					
GPREDCHA2	Glide Red Fascia - Ambient	2-1Gn	GGRENCHA5	Glide Green Fascia - Ambient	5-1Gn
GPREDCHA3	Glide Red Fascia - Ambient	3-1Gn	Buttermilk Cream/ Honesty (BS 10C31)		
GPREDCHA4	Glide Red Fascia - Ambient	4-1Gn	GCREMCHA2	Glide Cream Fascia - Ambient	2-1Gn
GPREDCHA5	Glide Red Fascia - Ambient	5-1Gn	GCREMCHA3	Glide Cream Fascia - Ambient	3-1Gn
White (BS 00E55)					
GWHITCHA2	Glide White Fascia - Ambient	2-1Gn	GCREMCHA4	Glide Cream Fascia - Ambient	4-1Gn
GWHITCHA3	Glide White Fascia - Ambient	3-1Gn	GCREMCHA5	Glide Cream Fascia - Ambient	5-1Gn
GWHITCHA4	Glide White Fascia - Ambient	4-1Gn	Black (BS 00E53)		
GWHITCHA5	Glide White Fascia - Ambient	5-1Gn	GBLAKCHA2	Glide Black Fascia - Ambient	2-1Gn
Wood Grain Effect Panels DL85 Walnut Finish					
GWALNCHA2	Glide Walnut Fascia - Ambient	2-1Gn	GBLAKCHA3	Glide Black Fascia - Ambient	3-1Gn
GWALNCHA3	Glide Walnut Fascia - Ambient	3-1Gn	GBLAKCHA4	Glide Black Fascia - Ambient	4-1Gn
GWALNCHA4	Glide Walnut Fascia - Ambient	4-1Gn	GBLAKCHA5	Glide Black Fascia - Ambient	5-1Gn
GWALNCHA5	Glide Walnut Fascia - Ambient	5-1Gn	Wood Grain Effect Panels DL76 Beech Finish		
Wood Grain Effect Panels DL84 Oak Finish					
GOAKCHA2	Glide Oak Fascia - Ambient	2-1Gn	GBECCCHA2	Glide Beech Fascia - Ambient	2-1Gn
GOAKCHA3	Glide Oak Fascia - Ambient	3-1Gn	GBECCCHA3	Glide Beech Fascia - Ambient	3-1Gn
GOAKCHA4	Glide Oak Fascia - Ambient	4-1Gn	GBECCCHA4	Glide Beech Fascia - Ambient	4-1Gn
GOAKCHA5	Glide Oak Fascia - Ambient	5-1Gn	GBECCCHA5	Glide Beech Fascia - Ambient	5-1Gn

GANTRY OPTIONS



Glide Heated Gantry c/w Infra Red Lamps (Self Help & A.Serve) Ceran Top H.Cupbd. (No Gantry)

Code	Description	Capacity (Gn)	Dimensions (L x D x H mm)	Weight (kg)	Power (kW)
GHG2	Glide Hot Gantry S.Help/A.Serve	2-1Gn	825 x 700 x 397	7	0.4
GHG3	Glide Hot Gantry S.Help/A.Serve	3-1Gn	1175 x 700 x 397	9	0.6
GHG4	Glide Hot Gantry S.Help/A.Serve	4-1Gn	1525 x 700 x 397	12	0.8
GHG5	Glide Hot Gantry S.Help/A.Serve	5-1Gn	1875 x 700 x 397	16	1.0

Option Description.
Hot gantry, s/steel, reversible curved glass sneeze screen, self help/ ass. serve use, + 397(h) above worktop, end glass, fitted with 200w quartz infra-red jacketed safety lamps.

Glide Heated Island Gantry c/w Infra Red Lamps (Self Help) Ceran Top H.Cupbd. (No Gantry)

Code	Description	Capacity (Gn)	Dimensions (L x D x H mm)	Weight (kg)	Power (kW)
GHIG2	Glide Hot Gantry Island Glass S.Help	2-1 Gn	825 x 700 x 397	9	0.4
GHIG3	Glide Hot Gantry Island Glass S.Help	3-1 Gn	1175 x 700 x 397	11	0.6
GHIG4	Glide Hot Gantry Island Glass S.Help	4-1 Gn	1525 x 700 x 397	13	0.8
GHIG5	Glide Hot Gantry Island Glass S.Help	5-1 Gn	1875 x 700 x 397	18	1.0

Option Description.
Hot island gantry, s/steel, double curved glass sneeze screen, self help, + 397(h) above worktop, end glass, fitted with 200w quartz infra-red jacketed safety lamps.

CARVING ADAPTOR

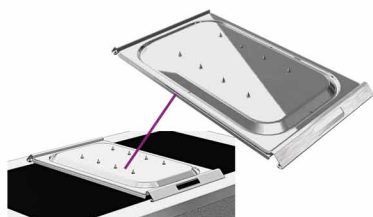
Glide Sit-On Spiked Carving Adaptor (Hotplate) - 1/1 Gn

Use With Heated Gantry Options

Code	Description	Capacity (Gn)	Dimensions (W x D x H mm)	Weight (kg)	Spikes (Qty).
GCP1AL	Glide Sit On Carving Adaptor 1-1 Gn	1	325 x 599 x 31	1	8

Ceran Top H.Cupbd. (& Hot Gantry)

Option Description.
Sit-on spiked carving lid & 20mm(d)1-1 Gn juice collection tray under. Dims. 599mm (L) x 325mm (w) x 31mm(h). S/steel surround frame with rubber feet. Unit sits on front/ back edges of wktop frame. A shallow amount of water can be added into juice collection tray under, to assist in moisture retention/ enable easier cleaning after serving. (For use with hot gantry option only).





Ceran Top Hot Cupboard



POPULAR MODEL/ OPTION CODES

Glide Ceran Top Hot Cupboard No Gantry (& Tray Slide)

Model Code	Option Code	Description	Total Power (kW)
GHP2	GSTS2	Glide Ceran Top HC. & T/Slide 2-1	1.29
GHP3	GSTS3	Glide Ceran Top HC. & T/Slide 3-1	1.47
GHP4	GSTS4	Glide Ceran Top HC. & T/Slide 4-1	1.65
GHP5	GSTS5	Glide Ceran Top HC. & T/Slide 5-1	2.33

Requires 13A 230V Elec. Socket

Glide Ceran Top Hot Cupboard (& Heated Gantry & Tray Rail & Colour Finish)

Model Code	Option Code	Option Code	Option Code	Description	Total Power (kW)
GHP2	GHG2	GTTS2	GPREDCHA2	HP/HC/H.Gntry/T.Rail (Red) 2-1	1.69
GHP3	GHG3	GTTS3	GPREDCHA3	HP/HC/H.Gntry/T.Rail (Red) 3-1	2.07
GHP4	GHG4	GTTS4	GPREDCHA4	HP/HC/H.Gntry/T.Rail (Red) 4-1	2.45
GHP5	GHG5	GTTS5	GPREDCHA5	HP/HC/H.Gntry/T.Rail (Red) 5-1	3.33*

Requires 13A 230V Elec. Socket *16A Commando Socket.

Glide Ceran Top Hot Cupboard No Gantry (& Tray Rail)

Model Code	Option Code	Description	Total Power (kW)
GHP2	GTTS2	Glide Ceran Top HC. & T/ Rail 2-1	1.29
GHP3	GTTS3	Glide Ceran Top HC. & T/ Rail 3-1	1.47
GHP4	GTTS4	Glide Ceran Top HC. & T/ Rail 4-1	1.65
GHP5	GTTS5	Glide Ceran Top HC. & T/ Rail 5-1	2.33

Requires 13A 230V Elec. Socket

Glide Ceran Top Hot Cupboard No Gantry (& Colour Finish)

Model Code	Option Code	Description	Total Power (kW)
GHP2	GGRENCHA2	Glide Ceran Top HC. & (Green) 2-1	1.29
GHP3	GGRENCHA3	Glide Ceran Top HC. & (Green) 3-1	1.47
GHP4	GGRENCHA4	Glide Ceran Top HC. & (Green) 4-1	1.65
GHP5	GGRENCHA5	Glide Ceran Top HC. & (Green) 5-1	2.33

Requires 13A 230V Elec. Socket

Glide Ceran Top Hot Cupboard (& Heated Gantry)

Model Code	Option Code	Description	Total Power (kW)
GHP2	GHG2	Glide Ceran Top HC. & Hot Gntry 2-1	1.69
GHP3	GHG3	Glide Ceran Top HC. & Hot Gntry 3-1	2.07
GHP4	GHG4	Glide Ceran Top HC. & Hot Gntry 4-1	2.45
GHP5	GHG5	Glide Ceran Top HC. & Hot Gntry 5-1	3.33*

Requires 13A 230V Elec. Socket *16A Commando Socket.

Glide Ceran Top Hot Cupboard (& Heated Gantry & Tray Rail)

Model Code	Option Code	Option Code	Description	Total Power (kW)
GHP2	GHG2	GTTS2	Glide Ceran Top HC. & Hot Gntry/ T.Rail 2-1	1.69
GHP3	GHG3	GTTS3	Glide Ceran Top HC. & Hot Gntry/ T.Rail 3-1	2.07
GHP4	GHG4	GTTS4	Glide Ceran Top HC. & Hot Gntry/ T.Rail 4-1	2.45
GHP5	GHG5	GTTS5	Glide Ceran Top HC. & Hot Gntry/ T.Rail 5-1	3.33*

Requires 13A 230V Elec. Socket *16A Commando Socket.

Glide Ceran Top Hot Cupboard (& Heated Island Gantry)

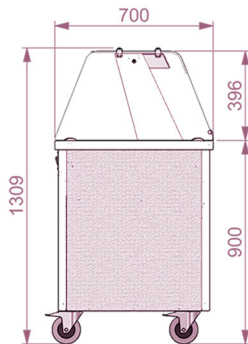
Model Code	Option Code	Description	Total Power (kW)
GHP2	GHIG2	Glide Ceran Top HC. & Hot Island Gntry 2-1	1.69
GHP3	GHIG3	Glide Ceran Top HC. & Hot Island Gntry 3-1	2.07
GHP4	GHIG4	Glide Ceran Top HC. & Hot Island Gntry 4-1	2.45
GHP5	GHIG5	Glide Ceran Top HC. & Hot Island Gntry 5-1	3.33*

Requires 13A 230V Elec. Socket *16A Commando Socket.

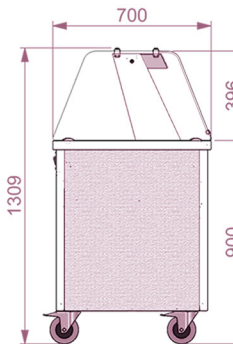
Glide Ceran Top Hot Cupboard (& Heated Gantry & Tray Slide)

Model Code	Option Code	Option Code	Description	Total Power (kW)
GHP2	GHG2	GSTS2	Glide Ceran Top HC. & Hot Gntry/ T.Slide 2-1	1.69
GHP3	GHG3	GSTS3	Glide Ceran Top HC. & Hot Gntry/ T.Slide 3-1	2.07
GHP4	GHG4	GSTS4	Glide Ceran Top HC. & Hot Gntry/ T.Slide 4-1	2.45
GHP5	GHG5	GSTS5	Glide Ceran Top HC. & Hot Gntry/ T.Slide 5-1	3.33*

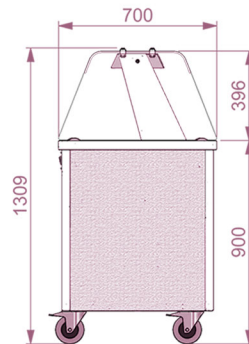
Requires 13A 230V Elec. Socket *16A Commando Socket.



Glide Ceran Hot Cupbd. (& Hot Gantry) Self Help Position



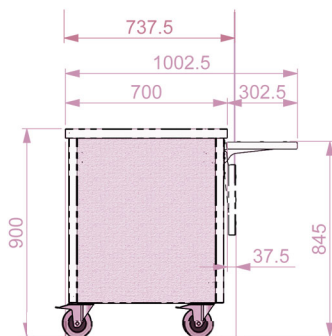
Glide Ceran Hot Cupbd. (& Hot Gantry) Assisted Service Position



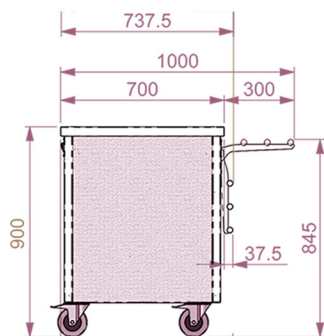
Ceran Hot Cupbd. (& Hot Island Gantry)



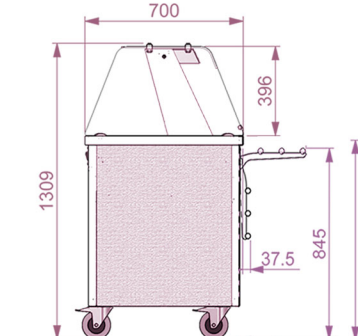
*Gn Containers Not Included



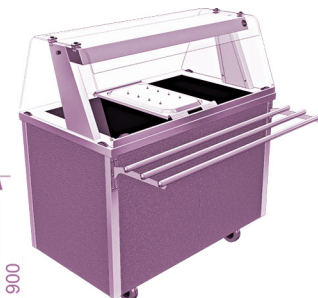
Glide Ceran Hot Cupbd. (& Tray Slide)



Glide Ceran Hot Cupbd. (& Tray Rail)



Glide Ceran Hot Cupbd. (& Hot Gantry/Tray Rail) Self Help Position



*Sit-On Carvery Adaptor GCP1AL Shown In Position